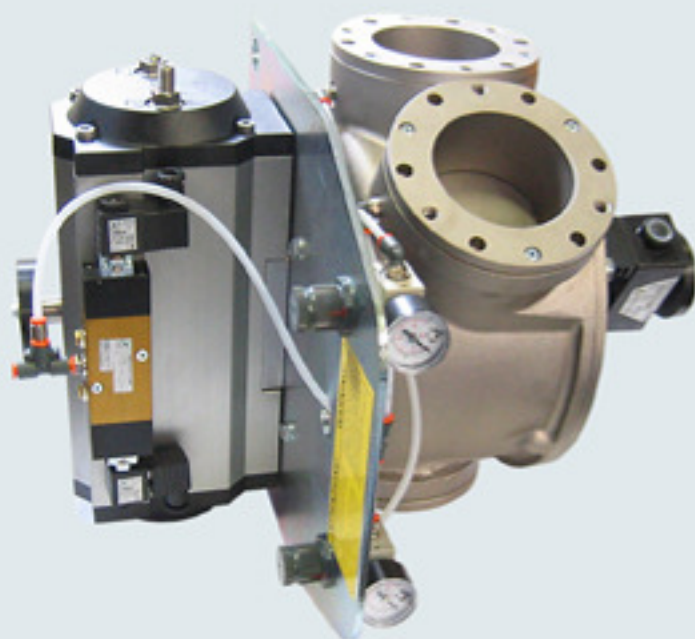


COMAV'S STATIC DIVERTER VALVE SINGLE PIPE are designed to diverter the product from one way to two ways and vice versa.

DTS DIVERTER VALVE is used for general pneumatic conveying up to 1 bar of convey pressure with all kind of product as much as powder&granule.



APPLICATIONS

PNEUMATIC CONVEYING
DISCHARGE
POWDER
GRANULE

DESIGN

SIZE: FROM DN80, TO DN150
BODY AND COVER: CASTING ALUMINIUM
ROTOR: CASTING ALUMINIUM
INNER PIPE: ALUMINIUM OR LINING ROTOR
MADE OF STAINLESS STEEL AISI 304/316
CONTROL: ACTUATOR, ELECTRICAL OR MANUAL

FEATURES

PRESSURE: 1 BAR
TEMPERATURE: MAX 100 °C
ANGLE: 30°
SEAL CONFIGURATION: STATIC
SPACE SAVING INSTALLATION

OPTIONALS

ACTUATOR ON COVER SIDE
NICKEL COATING
SPECIAL EXECUTION FOR
ABRASIVE PRODUCT
SPECIAL PIPE ON REQUEST
FOR SPECIAL APPLICATION
SPECIAL EXECUTION FOR
DIRECT FITTING AT PIPING
HIGH TEMPERATURE VERSION
ADAPTOR KIT
FOOD GRADE VERSION

AIR CONSUMPTION

DT	Actuator	N. Lt.
80 - 150	UT35	3,40

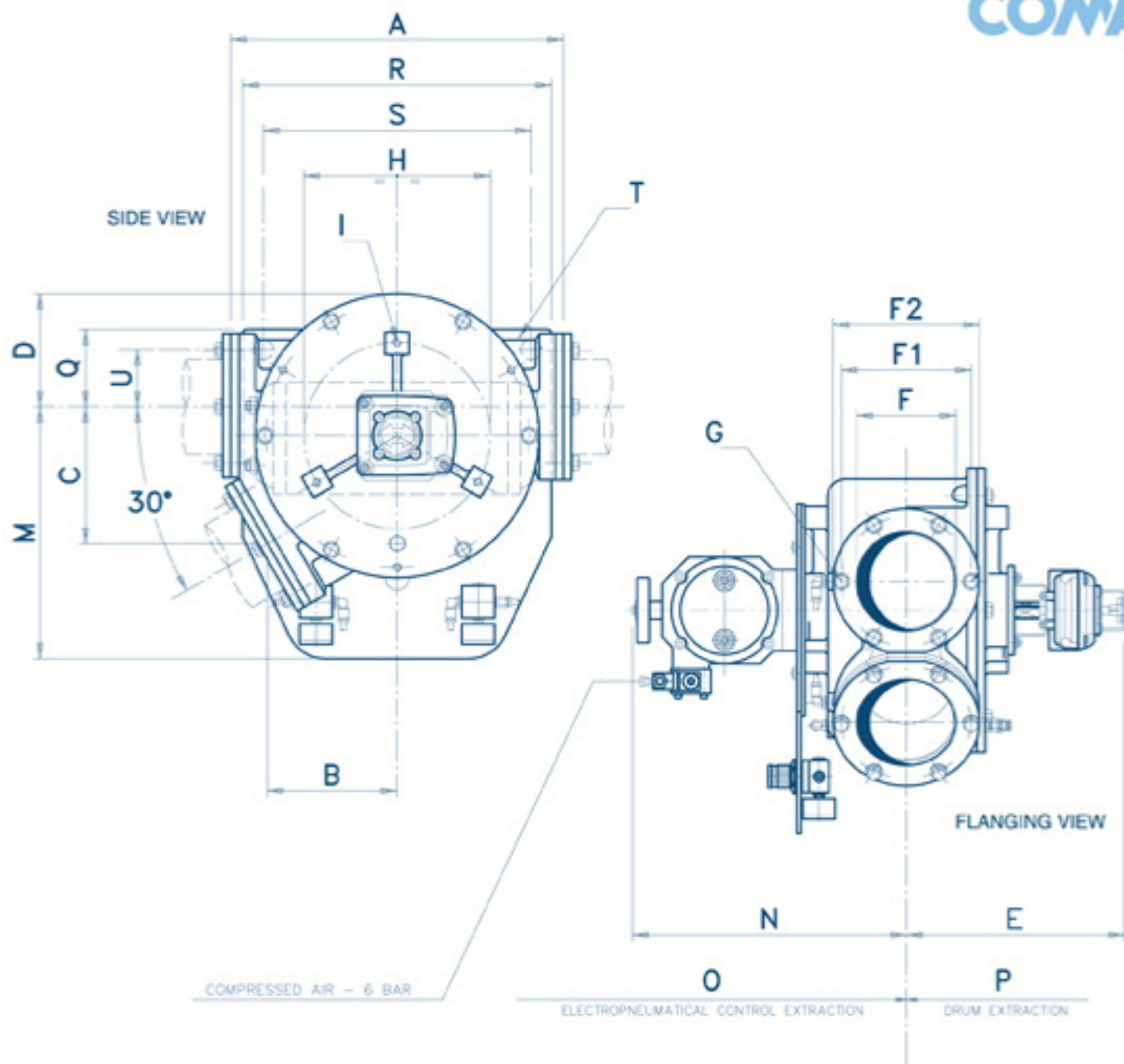
BROCHURE



COMPLIANCE



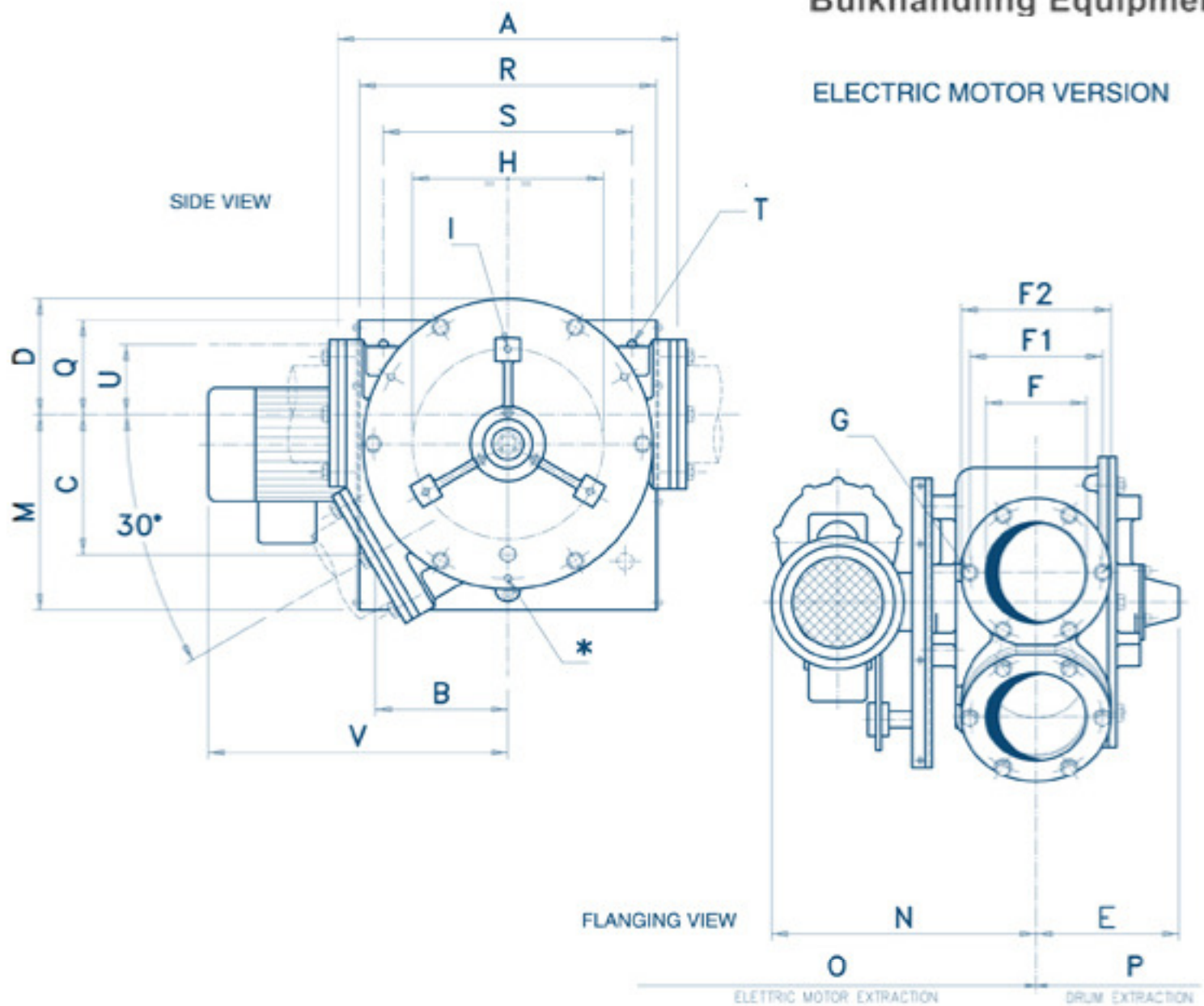
II 1/3DC T135* - II 2/3DC T135*



	A	B	C	D	E	ALL	F	F1	F2	G	H	I
80	350	138	137	105	244	ø77	ø76	ø120	ø140	4xM10	ø210	M10
100	390	153	155	125	256	ø99	ø97,6	ø140	ø160	6xM10	ø210	M10
120	410	160	169	140	269	ø117	ø117	ø160	ø180	6xM10	ø230	M10
150	510	200	206	168	285	ø146	ø146	ø190	ø215	6xM10	ø230	M10

	M	N	O	P	Q	R	S	T	U	WEIGHT
80	302	317	417	400	105	380	330	2 x ø25	80	Kg 20,5
100	306	329	429	435	100	380	330	2 x ø25	75	Kg 26,5
120	311	338	438	460	96	380	330	2 x ø25	71	Kg 34,0
150	318	354	454	510	89	380	330	2 x ø25	64	Kg 52,0

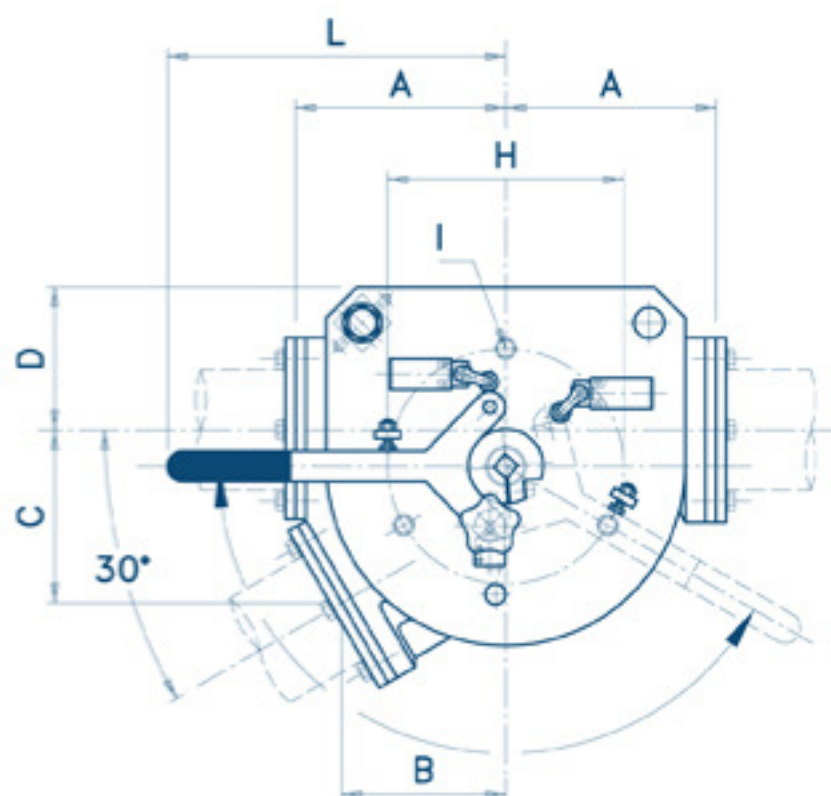
ELECTRIC MOTOR VERSION



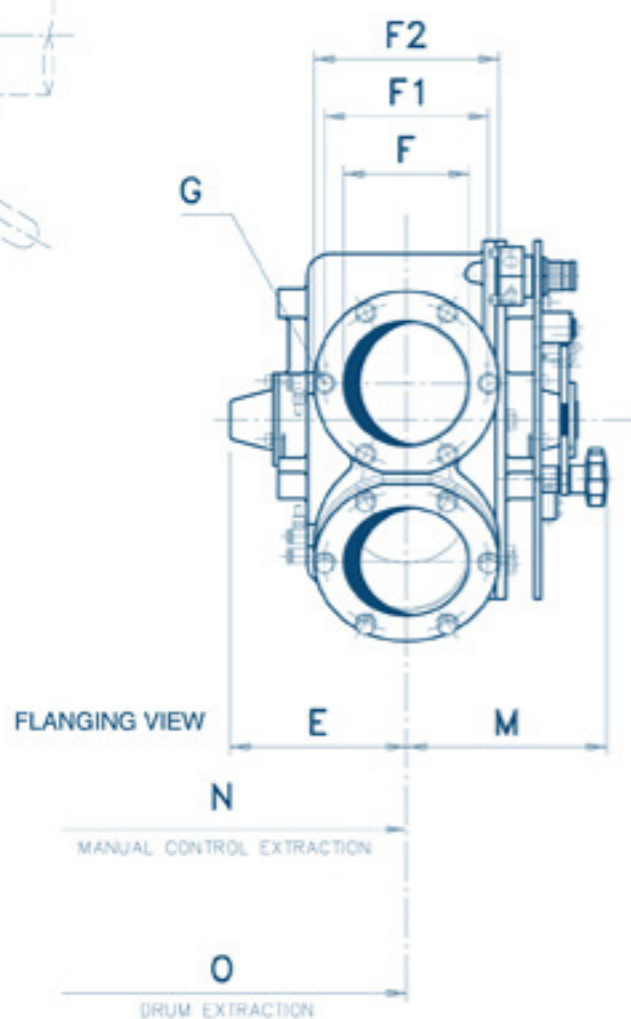
	A	B	C	D	E	F		F1	F2	G	H	I
						ALL	INOX					
80	350	138	137	109	152	ø77	ø76	ø120	ø140	4xM10	ø210	M10
100	390	153	155	125	165	ø99	ø97,6	ø140	ø160	6xM10	ø210	M10
120	410	160	169	140	175	ø117	ø117	ø160	ø180	6xM10	ø230	M10
150	510	200	206	168	190	ø146	ø146	ø190	ø215	6xM10	ø230	M10

	M	N	O	P	Q	R	S	T	U	V	KW
80	240	298	398	400	125	300	240	2 x ø11	30	336	0,18
100	240	310	410	435	120	300	240	2 x ø11	30	336	0,18
120	255	340	430	460	145	364	-	-	-	313	0,37
150	230	355	455	510	105	360	300	2 x ø11	30	336	0,37

SIDE VIEW



MANUAL VERSION



	A	B	C	D	E	ALL	F	F1	F2	G	H	I	L	M	N	O
						INOX	INOX									
80	175	138	137	109	152	ø77	ø76	ø120	ø140	4xM10	ø210	M10	300	180	270	400
100	195	153	155	125	165	ø99	ø97,6	ø140	ø160	6xM10	ø210	M10	300	190	280	435
120	205	160	169	140	175	ø117	ø117	ø160	ø180	6xM10	ø230	M10	330	200	290	460
150	255	200	206	168	190	ø146	ø146	ø190	ø215	6xM10	ø230	M10	330	215	305	510