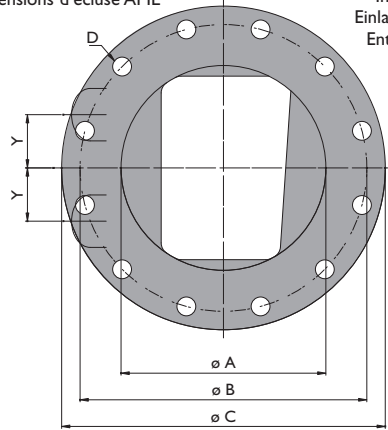
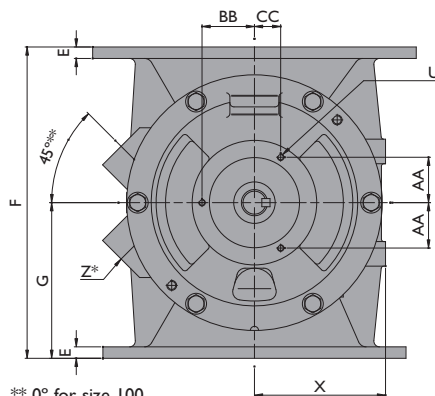
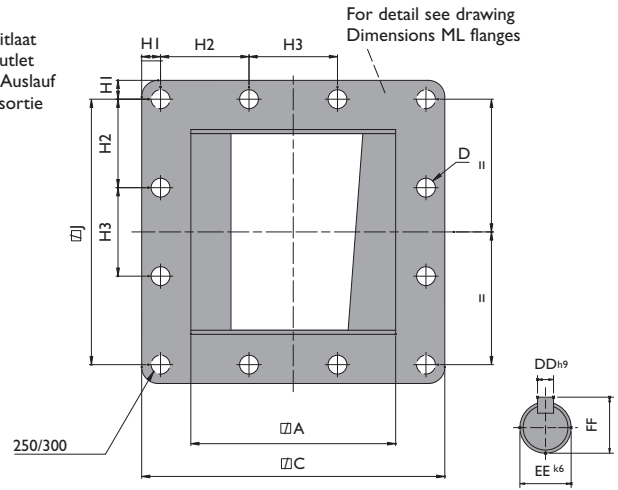


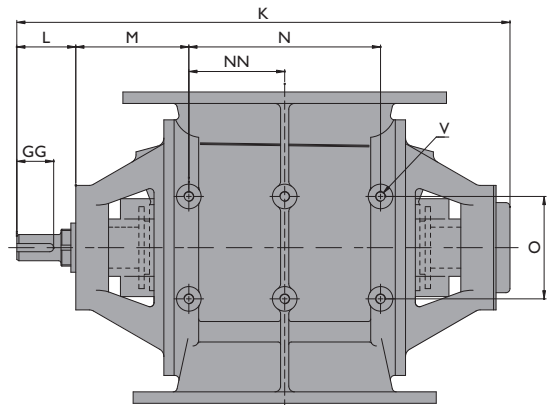
Maatschets AML
Dimensions AML
Maßskizze AML
Dimensions d'écluse AML



Inlaat of uitlaat
Inlet or outlet
Einlauf oder Auslauf
Entrée ou sortie



** 0° for size 100



DMN-WESTINGHOUSE have been designing and manufacturing rotary valves, diverter valves and other related components for the bulk solids handling industry for more than 30 years. Offering tailor made solutions for chemical, food, plastics and pharmaceutical industries, DMN-WESTINGHOUSE products are distributed worldwide. Besides an extensive range of standard components, we supply USDA accredited sanitary versions and ATEX approved explosion-proof models. An extensive network of subsidiaries, distributors and representatives ensures a high level of service and support all over the world.

Type AML	Ltr/rev	ØA	∇A	ØB	ØC	∇C	D	E	F	G	H1	H2	H3	∇J	K	L	M	N	NN
100	0,8	100	100	170	210	175	4xØ18	11	170	85	20	135	-	135	328	52	84	90	-
150	2,5	150	150	240	285	267	8xØ23	11	275	138	88	92	-	222	484	60	127	146	73
200	5,5	200	200	295	340	320	8xØ23	14	325	163	104	113	-	273	524	60	125	190	95
250	10,5	250	250	350	395	370	12xØ23	14	380	190	23	108	108	342	609	72	138	234	117
300	19	300	300	400	483	445	12xØ23	21	450	225	31	128	128	384	659	72	138	284	142
350	34	350	350	460	530	530	16xØ23	21	540	270	109	104	104	460	763	74	150	360	180
400	58	400	400	515	595	595	16xØ26	26	660	330	125	115	115	515	833	74	155	420	210

Type AML	O	U	V	X	Y	Z*	AA	BB	CC	DD	EE	FF	GG
100	75	3xM6	4xM10	90	-	-	-	35	35	8	25	28	43
150	100	3xM6	4xM10	110	40	3/4"	37,1	52,5	37,1	8	30	33	36
200	100	3xM6	6xM10	130	53	1"	37,1	52,5	37,1	8	30	33	36
250	125	3xM8	6xM12	160	65	1 1/4"	55,4	64	32	10	32	35	44
300	125	3xM8	6xM12	190	75	1 1/4"	55,4	64	32	10	32	35	44
350	125	3xM10	6xM12	225	95	1 1/2"	73,6	85	42,5	10	38	41	45
400	125	3xM10	6xM12	270	112	1 1/2"	73,6	85	42,5	10	38	41	45

* Standaard niet voorgedraaid
Standard not pre-drilled
Standard nicht gebohrt
Standard pas percé