

FS-M Vleugelsluis



Impeller valve for shut-off and control of product streams in the bulk industry.

TECHNICAL DATA

Nominal diameter:	DN 150 - DN 400
Face-to-face:	EBRO works standard
Flange accommodation:	EN 1092 PN 6/10/16 ASME Class 150
Marking:	EN 19
Operating pressure:	max. 3 bars
Temperature range:	-20 °C to +100°C, optional up to +250°C
Body:	Light metal full flange with inserted ring (stainless steel)
Impeller:	Stainless steel, optional mirror polished
Actuator:	Electric actuator 230V/400V 50Hz/60Hz, 30 min-1 to 100 min-1

FEATURES

- Maintenance-free
- Triple shaft bearing
- Can be installed in any desired position
- Safe and consistent discharge of rapid flowing products
- Noticeable reduction of demixing during discharge
- No compaction or levigation of products during charge and discharge
- Control and dosing of product streams
- Optional: Stop in zero position (sealing)
 - Right/left rotation
 - Rotation speed control
 - Hardened rotary valve

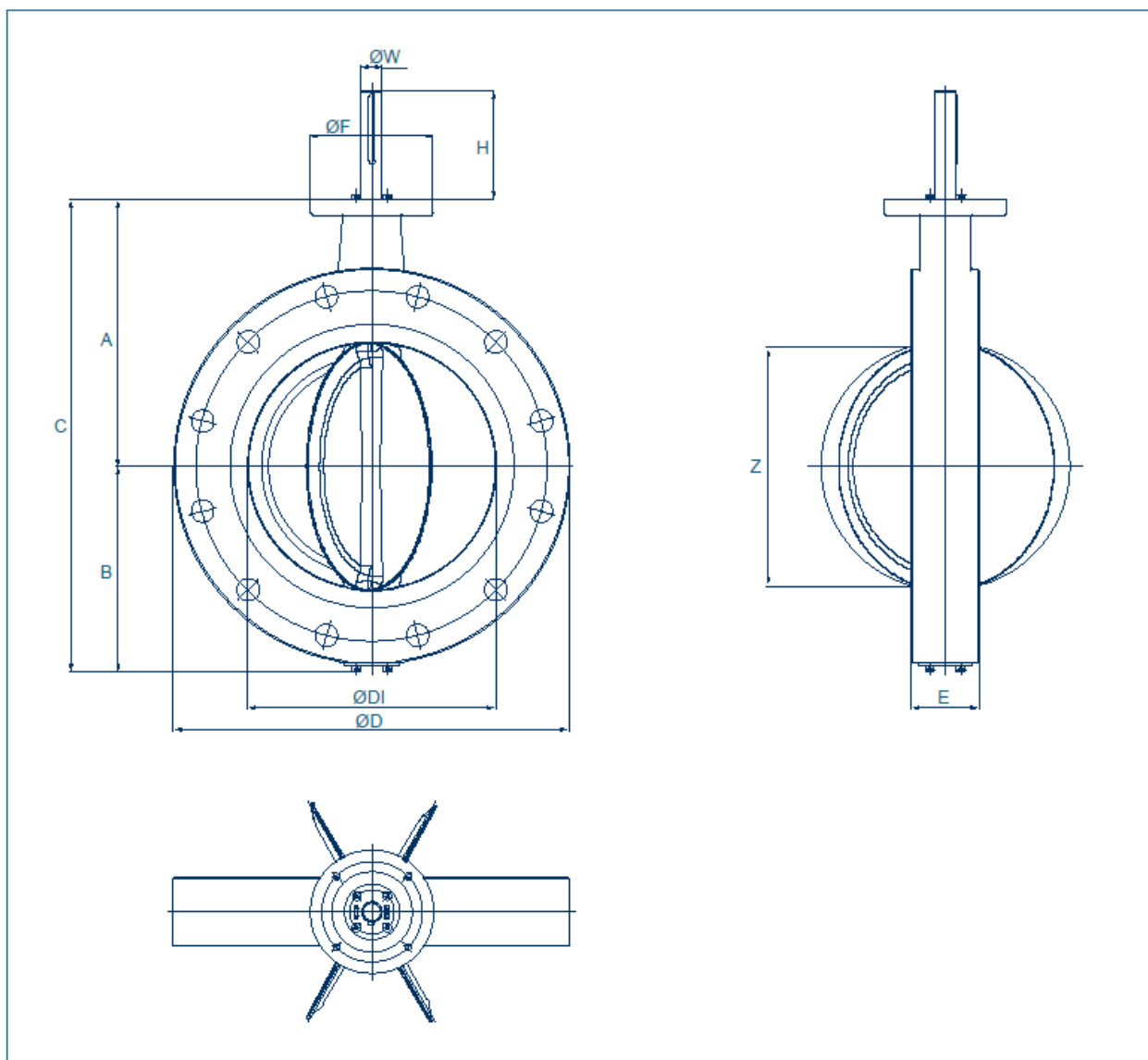
GENERAL APPLICATIONS

- Blending plants
- Silo constructions
- Granulates handling
- Weighing technology



Impeller valve in preferred position

FS-M Vleugelsluis



DN [mm]	Size [in]	Dimensions [mm]									
		A	B	C	ØD	ØDI	E	ØF	H	ØW	Z
150	6	203	150	353	285	148	40	88	110	20	143
200	8	228	176	404	340	198	50	88	110	20	192
250	10	266	206	472	395	248	66	123	110	20	240
300	12	293	237	530	445	298	65	123	110	20	292
400	16	363	314	677	565	398	75	148	110	20	392

Subject to change without notice