

## Wafer type butterfly valve Type Z011



A universally applicable wafer type valve acc. to EN 593.  
The large variety of basic materials allows applications in different industries.

### FEATURES

- Absolutely tight sealing with flow in either direction
- The valve body and disc are accurately machined which results in low operating torque and long service life and reliability.
- Triple shaft bearings prevents shaft deflection and guarantees optimum guidance even after many years of operational service.
- Four flange mounting holes ensure correct valve location when installing.
- Single flange mounting is possible (please request details from our Technical Department).
- Can be installed in any desired position.
- Maintenance-free
- Can be disassembled, material-specific recycling possible

### GENERAL APPLICATIONS

- Chemical and petrochemical industries
- Water and wastewater technology
- Pneumatic materials handling technology
- Shipbuilding
- Power generation industry
- Food industry
- Civil engineering
- For paint and laquers, a silicon-free Version is available.

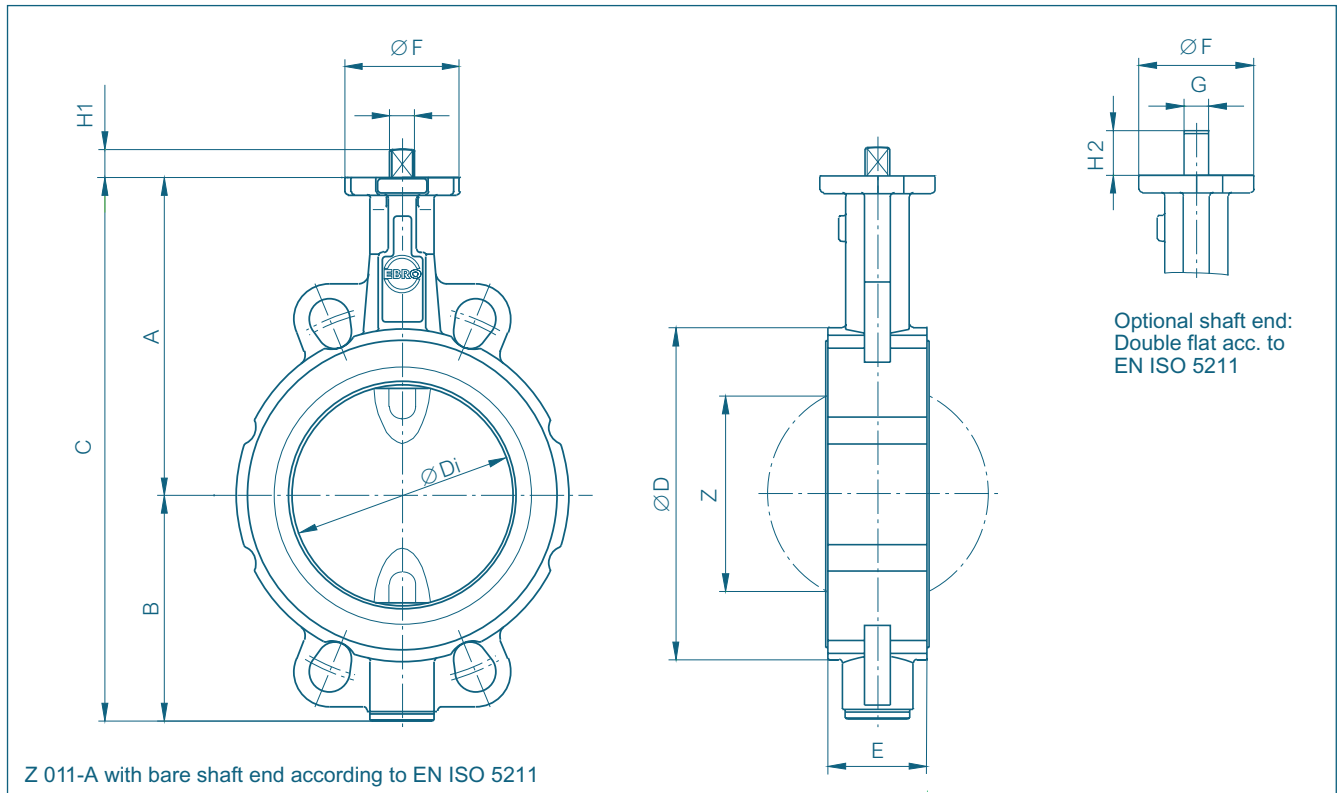
### TECHNICAL DATA

Nominal diameter:	DN 20 – DN 1200 (DN 20 only PN10/16)
Face-to-face:	EN 558 Series 20 (DIN 3202 T3 K1) ISO 5752 Series 20 API 609 Table 1 BS 5155 Series 4
Flange accommodation:	DIN 2501 PN 6/10/16 ANSI B 16.5, Class 150 MSS SP44 Class 150 AWWA C 207 AS 2129 Table D and E BS 10 Table D and E JIS B 2211-5 K JIS B 2212-10 K
Lap-joint flange:	DIN 2641 and DIN 2642
Weld-on flange:	DIN 2576
Flange Surface Design:	DIN 2526, Form A-E, ANSI RF
Top flange:	EN ISO 5211 NF E 29-402
Marking:	DIN EN 19
Tightness check:	DIN 3230 T3 BO, BN (Leakage Rate 1) ISO 5208, Category 3 API 598 Table 5 ANSI B 16-104, Class VI
Temperature range:	-20 °C to + 160 °C (depending on pressure, medium and material)
Operating pressure:	max. 16 bar
Differential pressure:	max. $\Delta p$ 16 bar
Vacuum:	0,2 bar absolute (depending on medium and temperature)



Aluminium version Z011- GMX. Available Sizes: DN 50 - DN 300

## Wafer type butterfly valve Type Z011



DN [mm]	Size [in]	Dimensions [mm]												Weight [kg] (GG-25)	
		A	B	C	D	Di	E	F	Flange	G	H1	H2	Z	2 Piece Shaft	TS- Shaft
20	3/4	104	45	149	59	31,5	33	54	F04	11	12	19	–	1,3	–
25	1	104	45	149	63	31,5	33	54	F04	11	12	19	–	1,3	–
32	1 1/4	104	50	154	68	31,5	33	54	F04	11	12	19	–	1,4	–
40	1 1/2	113	66	179	80	38	33	54	F04	11	12	19	22	1,8	–
50	2	126	84	210	95	48,5	43	54	F04	11	12	19	25	2,2	–
65	2 1/2	134	93	227	115	63,5	46	54	F04	11	12	19	45	2,9	–
80	3	157	104	261	138	78,5	46	65	F05	14	16	25	65	4,0	4,5
100	4	167	115	282	158	98,5	52	65	F05	14	16	25	85	5,2	5,8
125	5	180	127	307	188	123,5	56	65	F05	14	16	25	111	6,9	7,5
150	6	203	150	353	212	148	56	90	F07	17	19	30	139	9,5	11,0
200	8	228	176	404	268	199	60	90	F07	17	19	30	190	13,2	15,0
250	10	266	212	478	320	248	68	125	F10	22	24	39	240	22,5	25,5
300	12	291	237	528	370	296	78	125	F10	22	24	39	287	31,5	35,0
350	14	332	269	601	408	338	78(92)**	150	F12	*	*	–	330	39,4	45,0
400	16	363	314	677	470	388	102	150	F12	*	*	–	378	58,7	64,5
450	18	397	335	732	530	430,5	114	210	F14	*	*	–	417	91,0	95,5
500	20	437	405	842	574	494,5	127	210	F14/F16	*	*	–	474	107,0	113,5
600	24	498	469	967	675	590	154	300	F16/F25	*	*	–	563	171,0	198,0
700	28	581	507	1088	772	680	165	300	F16/F25	*	*	–	660	251,0	304,0
800	32	630	556	1186	874	780	190	300	F25	*	*	–	757	355,0	375,0
900	36	696	617	1313	973	880	203	300	F25	*	*	–	860	456,0	498,0
1000	40	771	675	1446	1070	980	216	350	F30	*	*	–	956	570,0	718,0
1200	48	880	810	1690	1510	1170	254	350	F30	*	*	–	1154	–	1156,0

\* according to the mounted actuator

\*\* face to face dim. acc. to EN 558 Tab. 20 (92 mm)

Subject to change without notice.