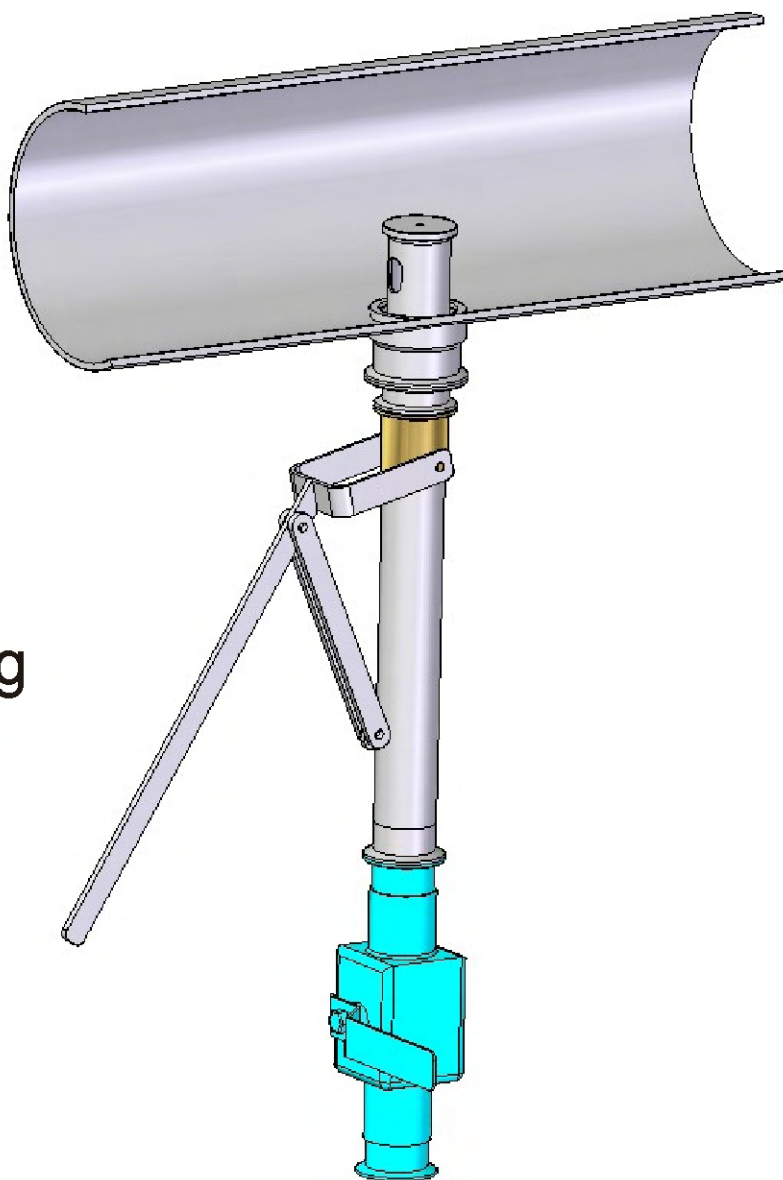




# Sampling port **InLineTasty**

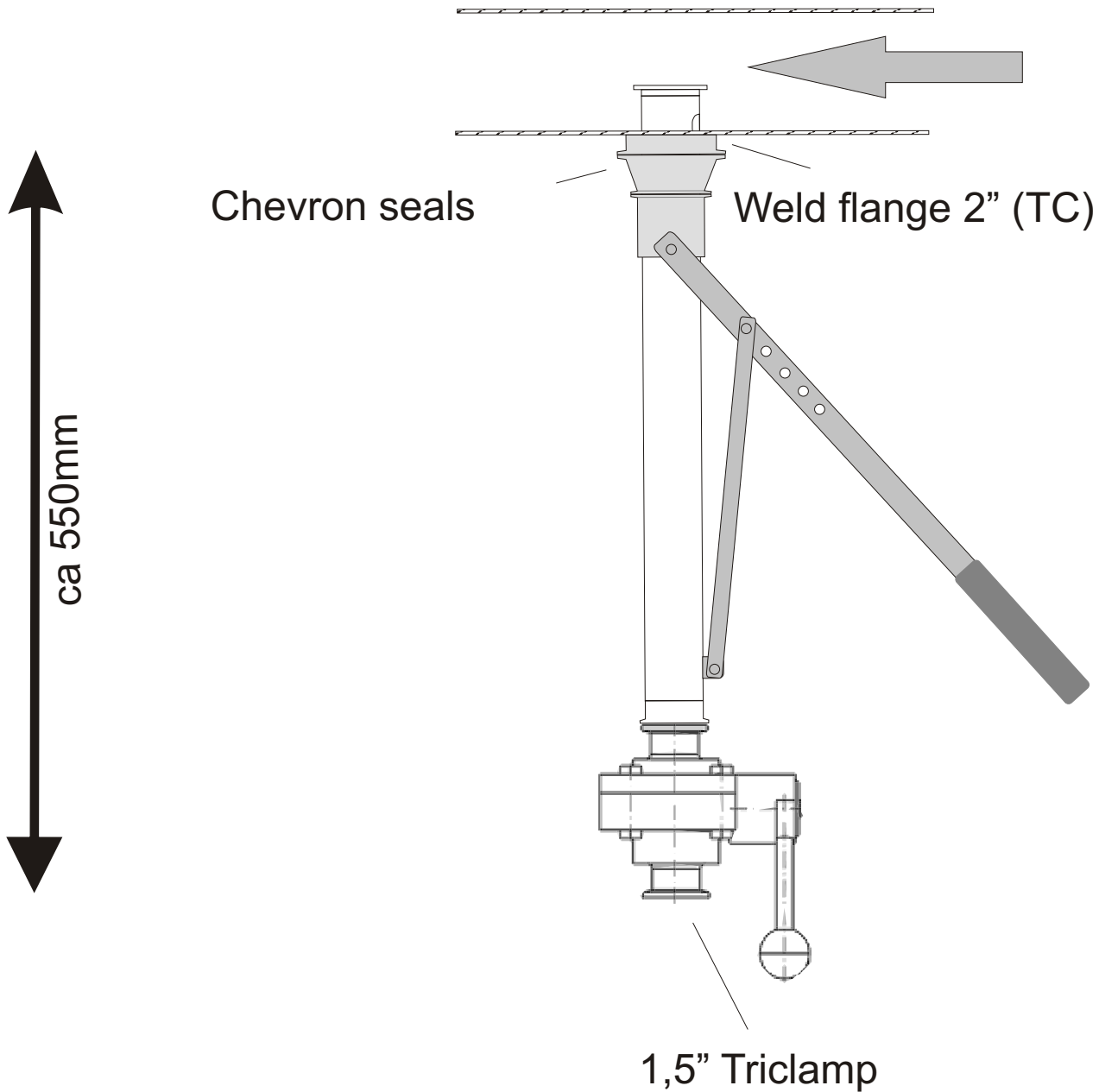


for free flowing  
powders and  
granules in  
pneumatic  
conveylines

# Description:



**KERSTING** GMBH  
SAMPLING + GROUNDING



Materials: Stainless Steel AISI 316, Seals PTFE (FDA approved)

Sample volume: ca 0,4 Litres / Stroke

Suitable for conveyline pressure up to 5 bargs

For tubes with a minimum diameter of 80mm

**LeBlansch**  
Bulkhandling Equipment

Noordvaardtdijk 3  
1561 PS Krommenie  
T 0229 820236  
F 0229 820237  
www.leblansch.com

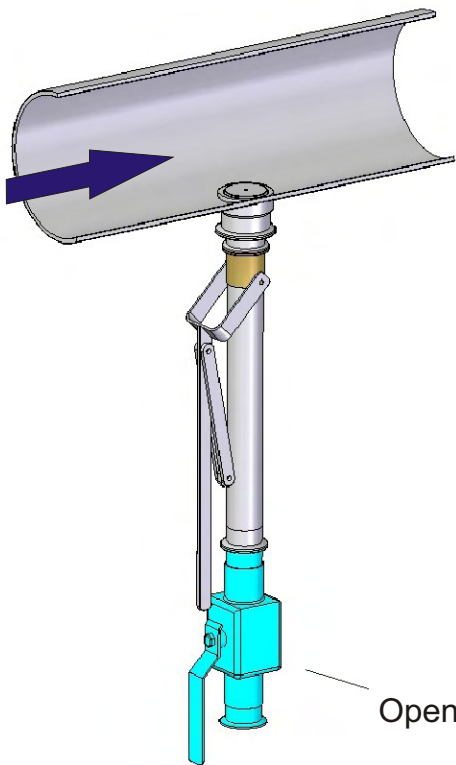
Postbus 189  
1620 AD Hoorn  
K.v.K. 51608251  
BTW.nr. NL187520926B01  
info@leblansch.com

# Mode of operation:

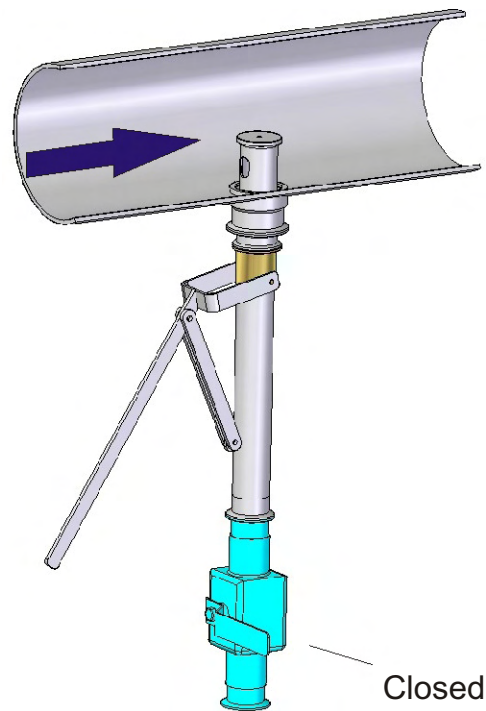


**KERSTING** GMBH  
SAMPLING + GROUNDING

Park position



Sampling position

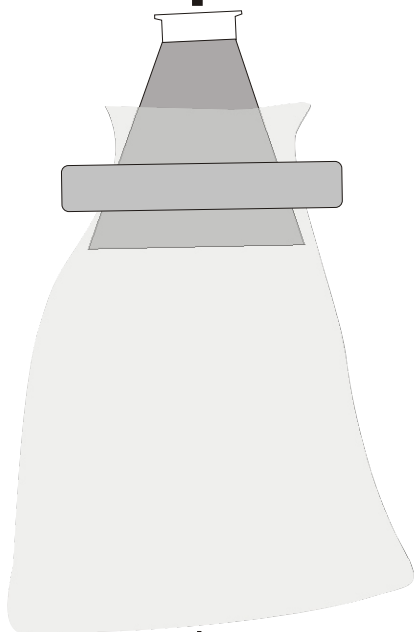
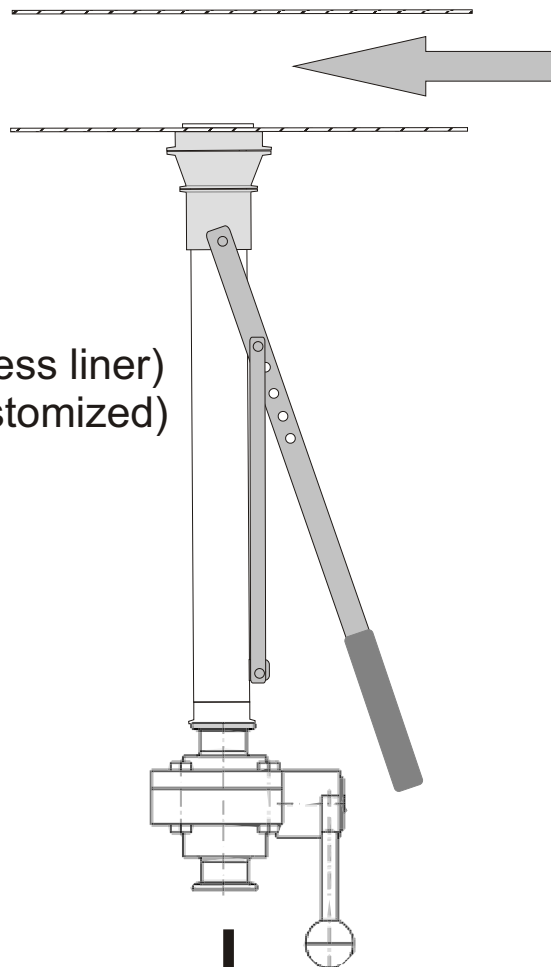


Options:

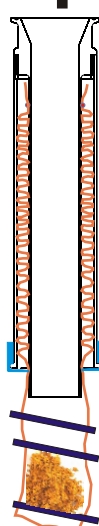


**KERSTING** GMBH  
SAMPLING + GROUNDING

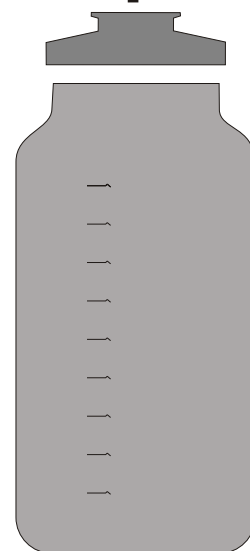
- 1 Sample Bag holder
- 2 Layflat Cassette (endless liner)
- 3 Bottle adaptor PP (customized)



1



2



4

**LeBlansch**  
Bulkhandling Equipment

Noordvaardijk 3  
1561 PS Krommenie  
T 0229 820236  
F 0229 820237  
www.leblansch.com

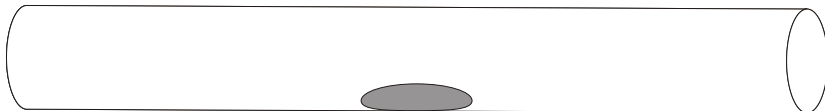
Postbus 189  
1620 AD Hoorn  
K.v.K. 51608251  
BTW.nr. NL187520926B01  
info@leblansch.com

# Installation:

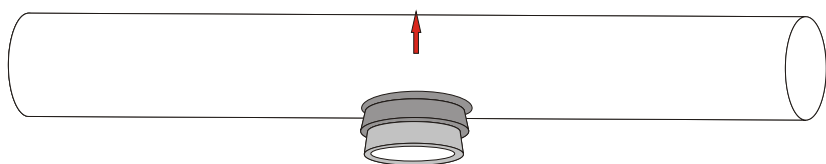


**KERSTING** GMBH  
SAMPLING + GROUNDING

- 1 Drill or weld cut a hole  $\varnothing$  60mm in the bottom side of the coveyline.



- 2 Place weld flange in the hole and seal weld.



- 3 Insert sampler into the flange, adjust hole against the flow direction using the clamp band.

